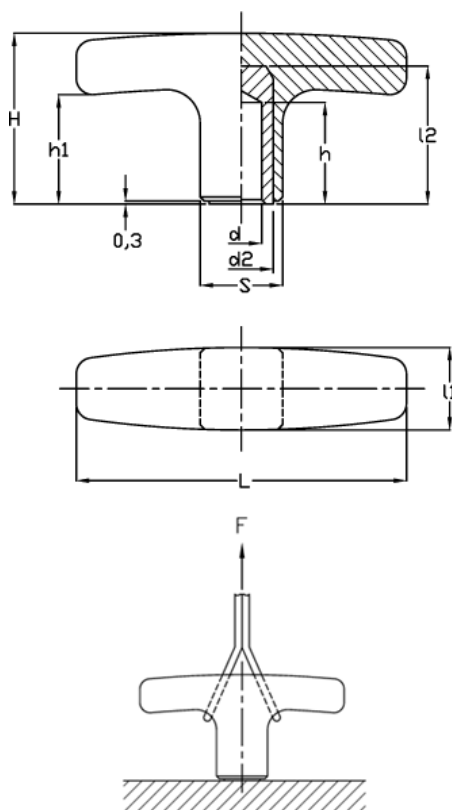


# Data Sheet



Article number: 2304032443  
Description: Handle 32443  
L.652/67 B-8, Black

## Measures



$d_2 = 11$	$l_2 = 30$
$d_{H9} = 8$	$S = 16 \times 16$
$F (N) = 4500$	
$h = 20$	
$H = 37$	
$h_1 = 25.0$	
$L = 67$	
$l_1 = 16$	